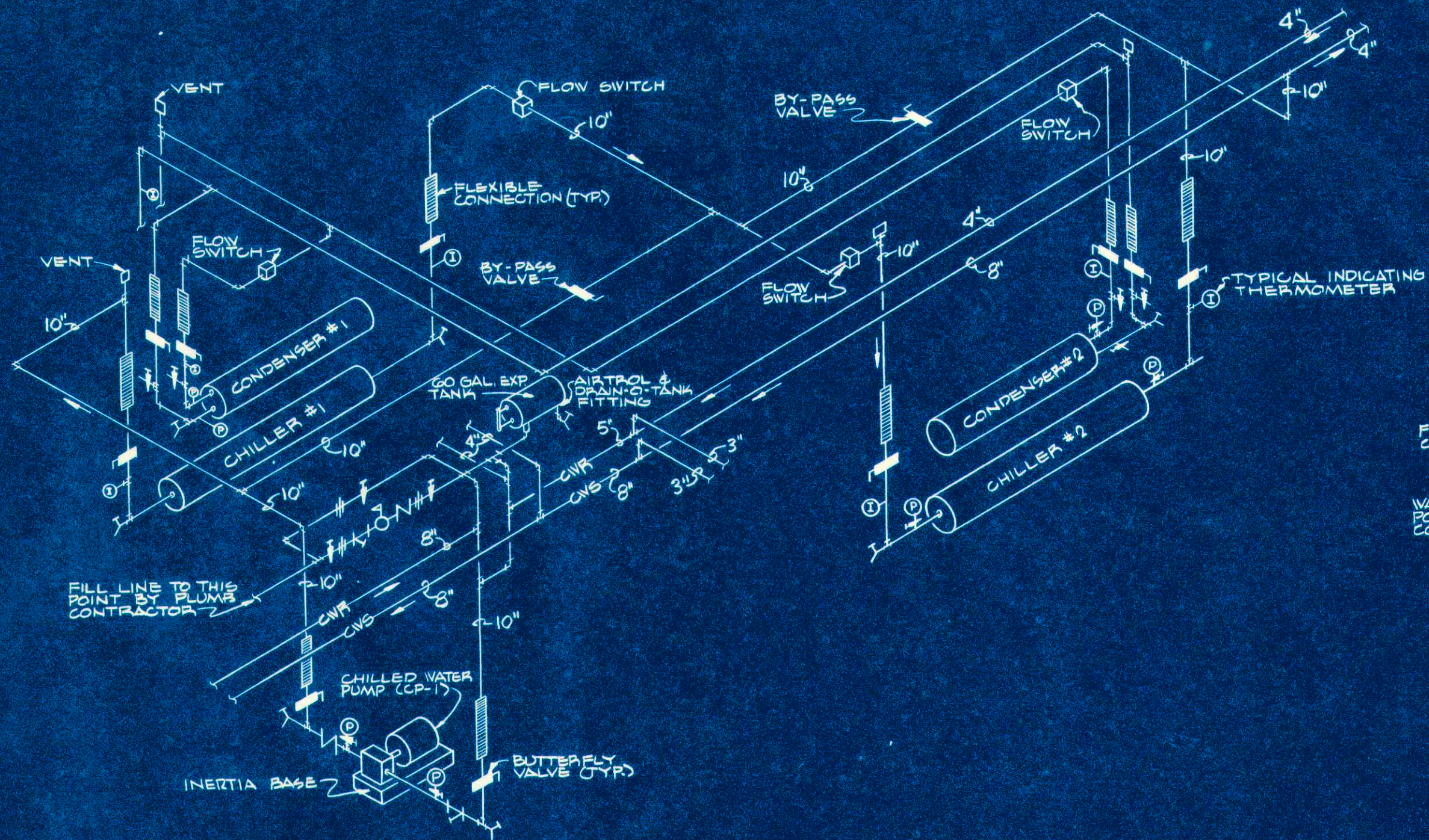


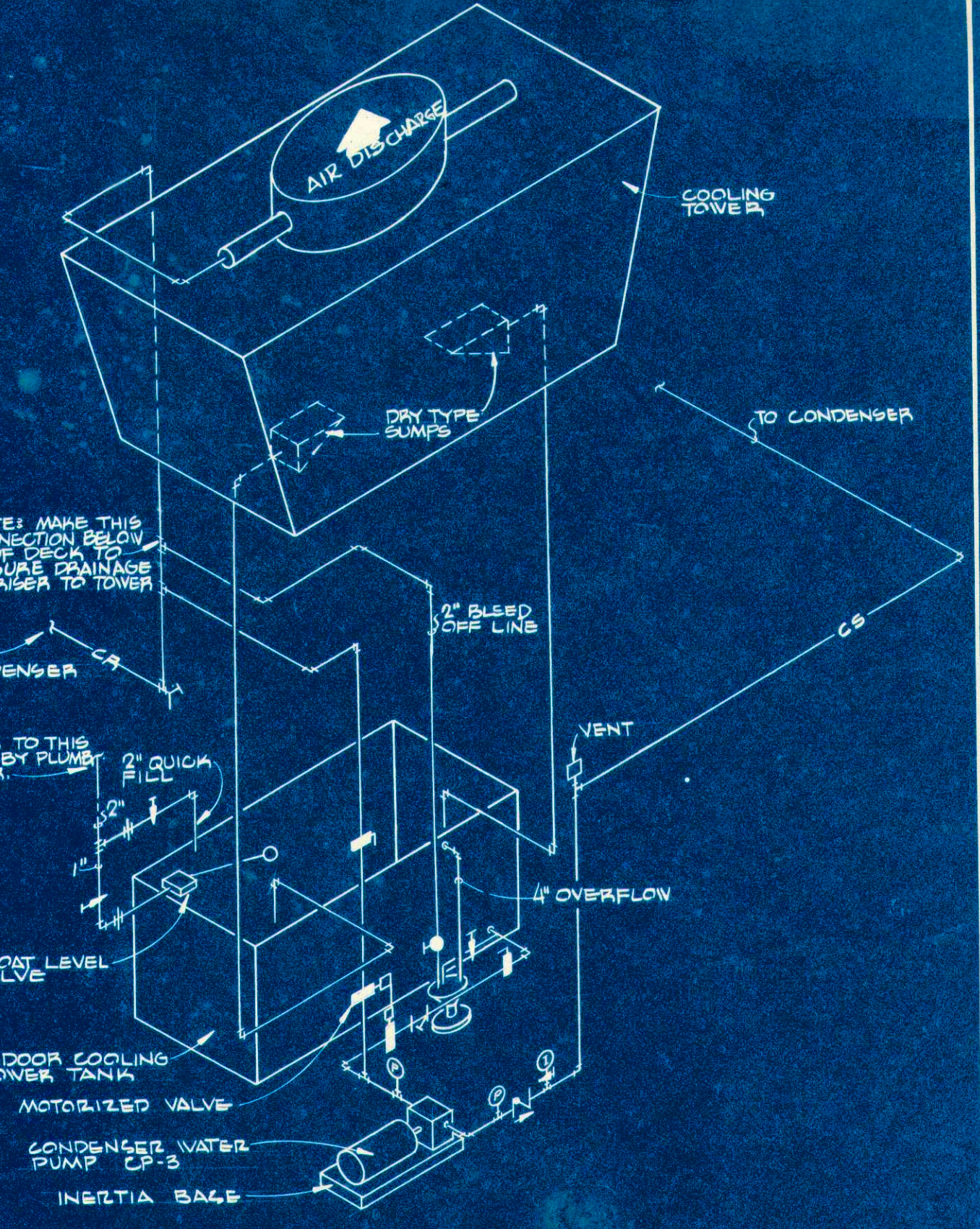
**HOT WATER PIPING ISOMETRIC**

NO SCALE



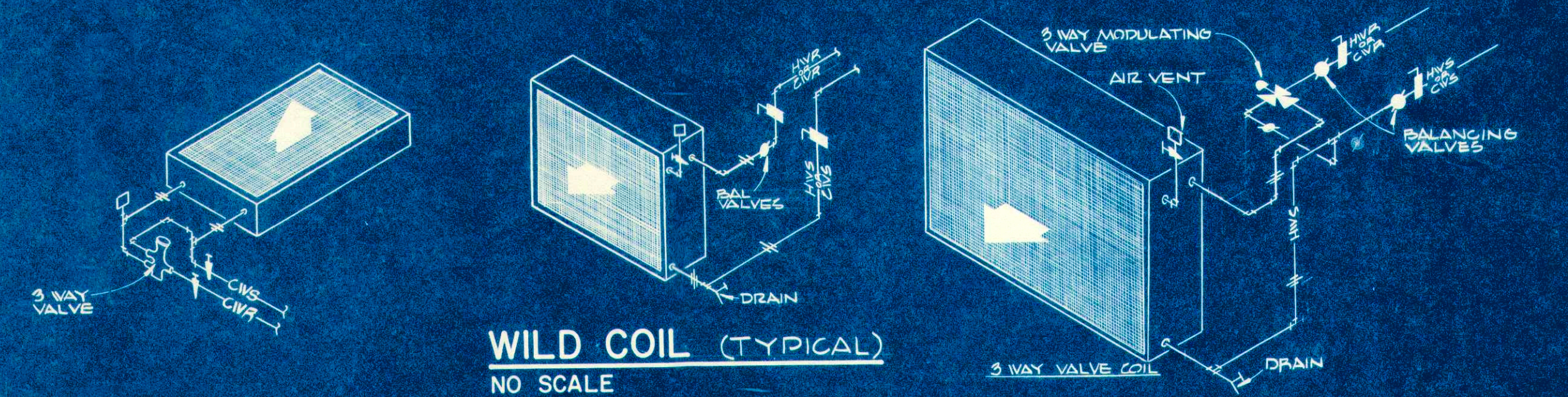
**CHILLED WATER & CONDENSER WATER PIPING ISOMETRIC**

NO SCALE



**COOLING TOWER PIPING ISOMETRIC**

NO SCALE



**WILD COIL (TYPICAL)**

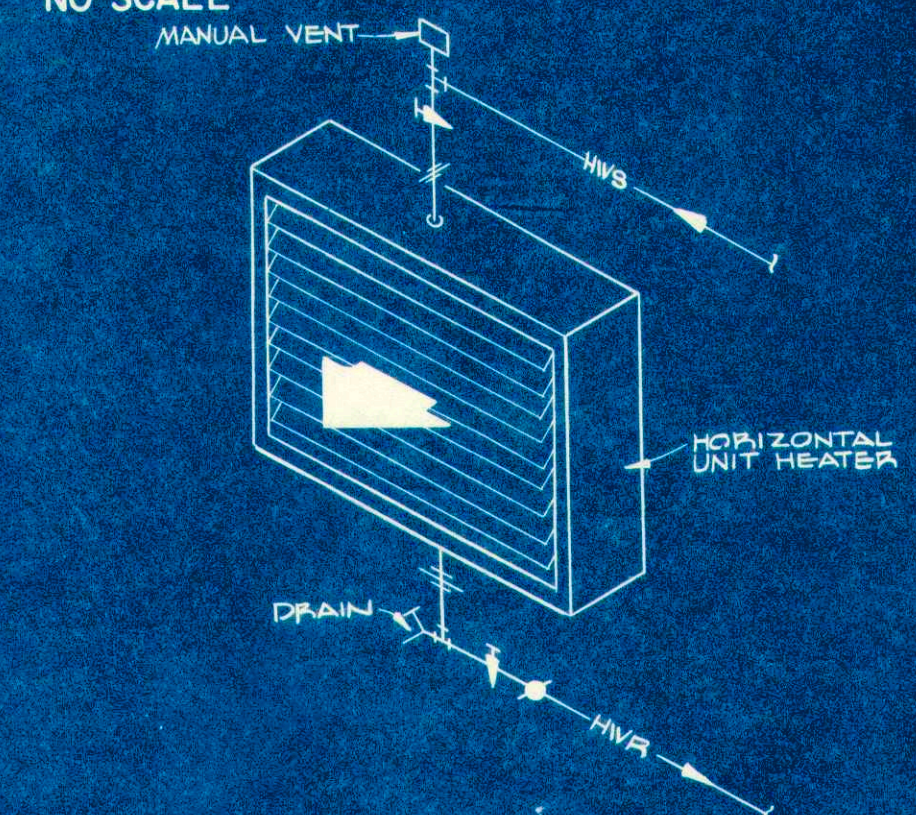
NO SCALE

**FAN COIL PIPING ISOMETRIC**

NO SCALE

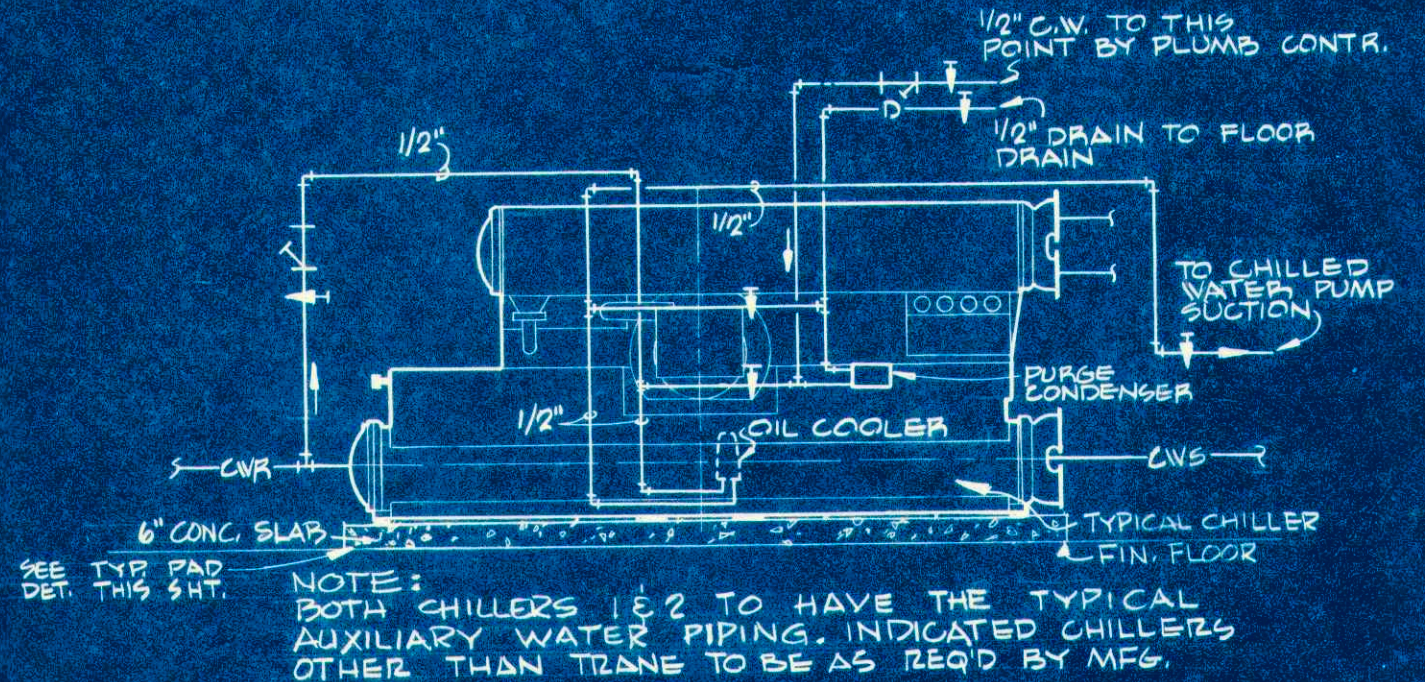
**TYPICAL WATER COIL**

NO SCALE



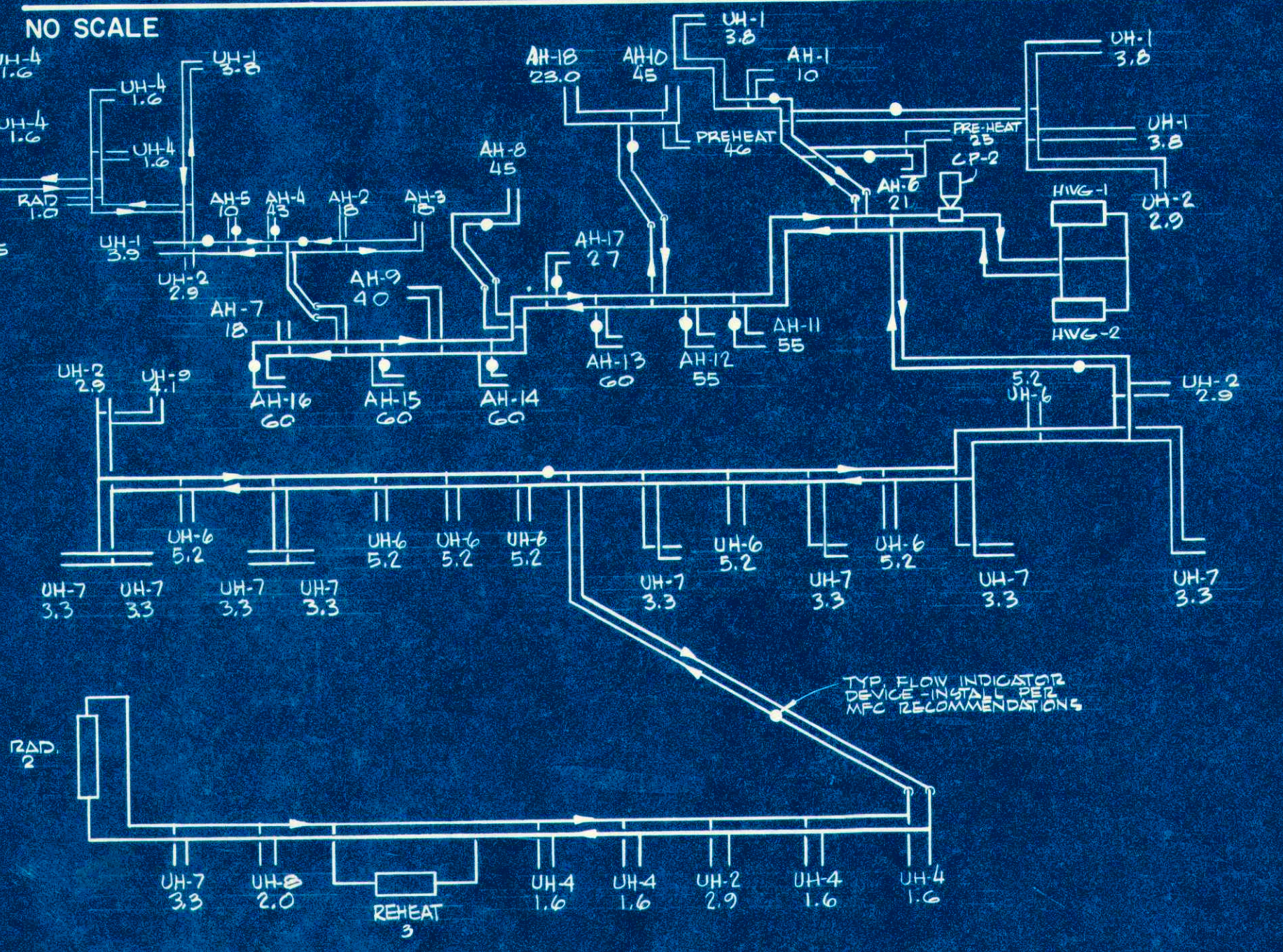
**UNIT HEATER PIPING ISOMETRIC**

NO SCALE



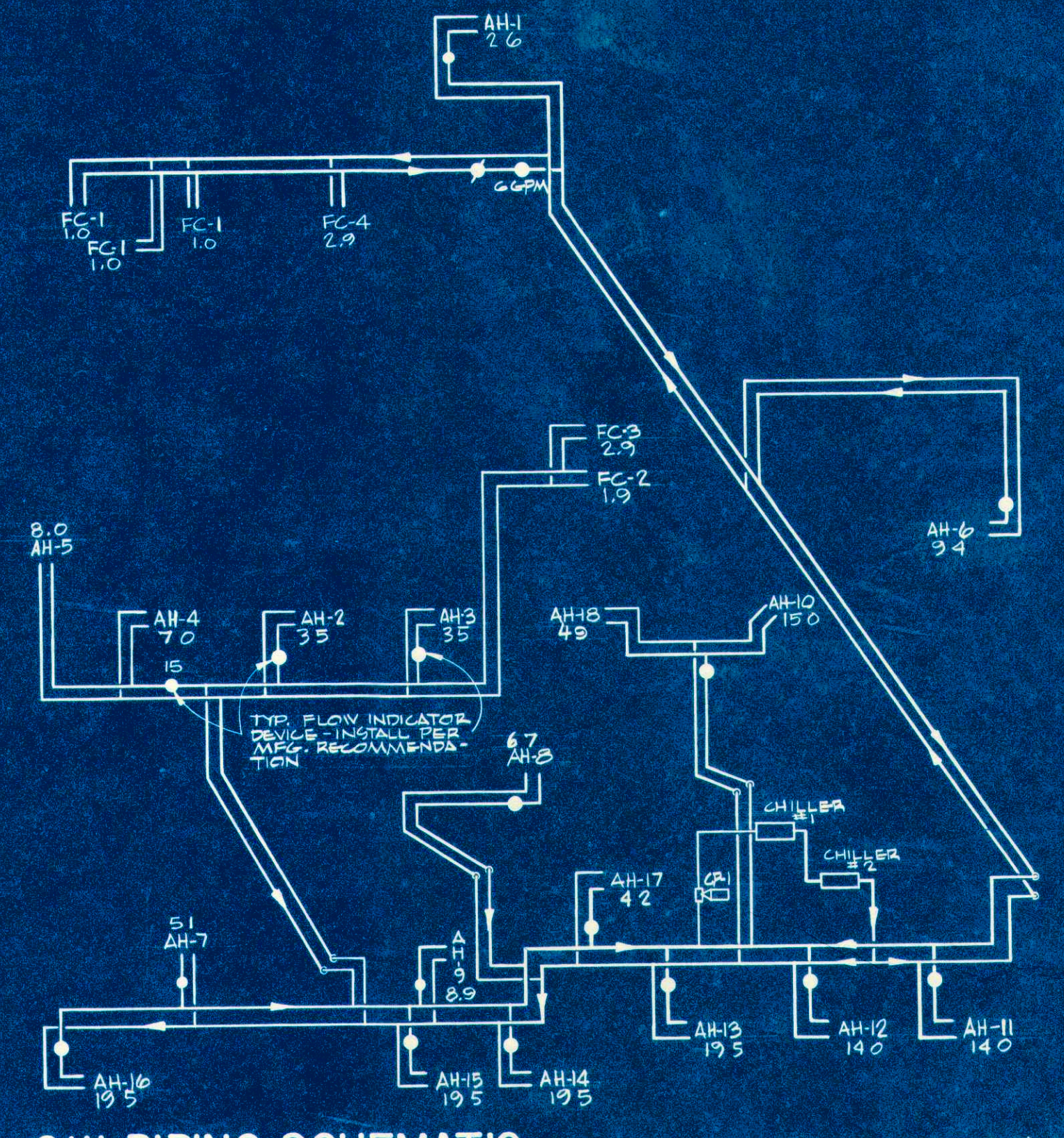
**TYPICAL AUXILIARY WATER PIPING**

NO SCALE



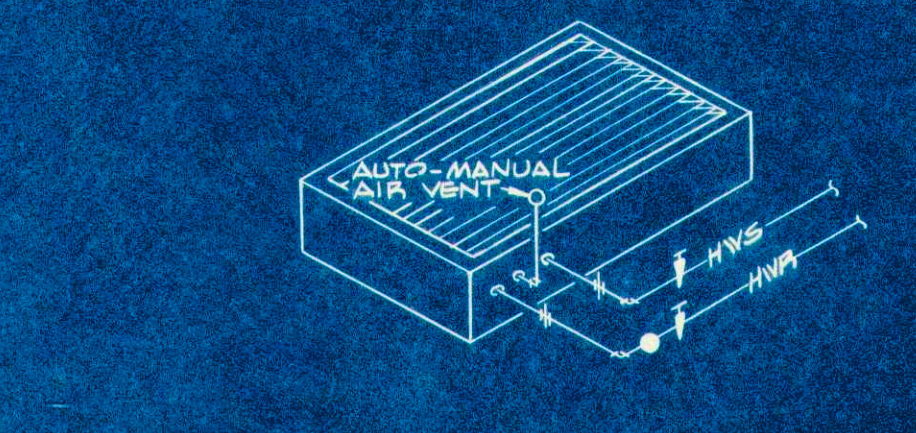
**H.W. PIPING SCHEMATIC (BALANCING INFORMATION)**

NO SCALE



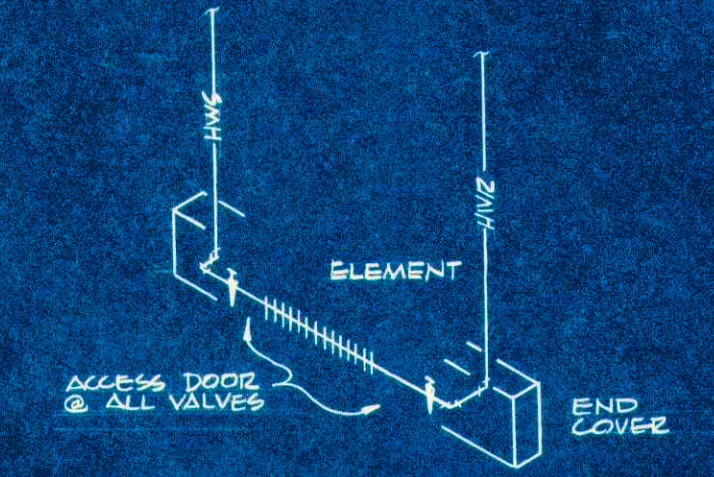
**C.W. PIPING SCHEMATIC (BALANCING INFORMATION)**

NO SCALE



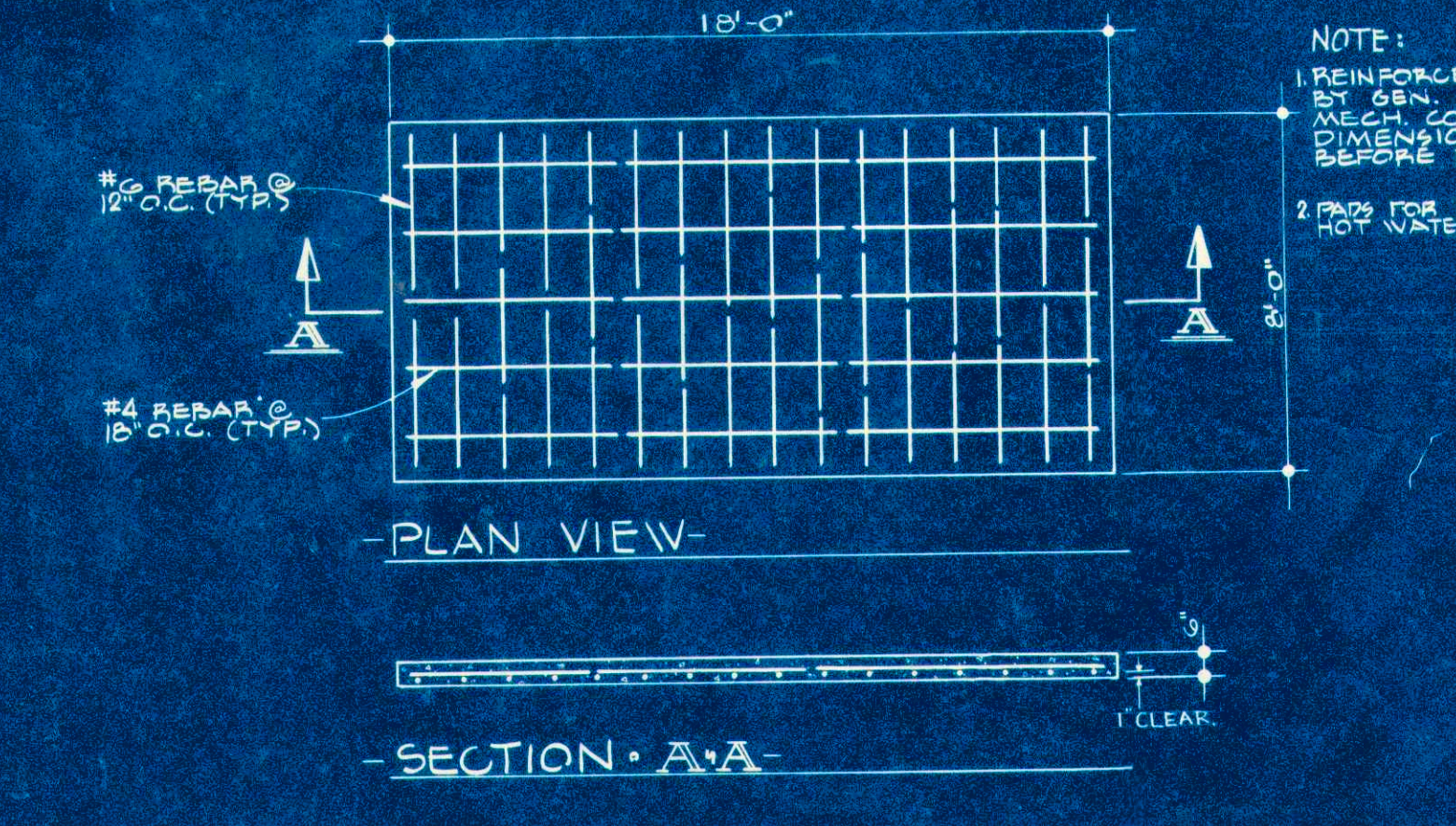
**CABINET UNIT HEATER**

NO SCALE



**RADIATION PIPING**

NO SCALE



**TYPICAL PAD DETAIL**

1/4" = 1' - 0"



**DENEAU, KLESKI & ASSOCIATES ARCHITECTS**  
40 W. FOURTH ST. - SUITE 2100 - DAYTON, OHIO

**DAYTON EXHIBITION CENTER**  
FIFTH AND MAIN STREETS  
DAYTON OHIO

REVISIONS		DRAWN BY	DATE	COMM. NO.	SHEET NO.
NO.	DATE	BY	DESCRIPTION		

CHECKED BY: TJF DATE: 11-13-70 PRINT DATE: 11-13-70